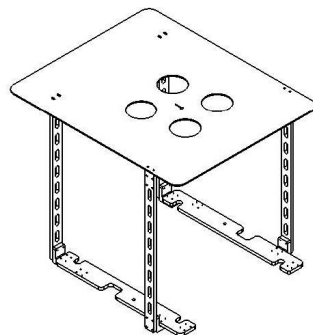
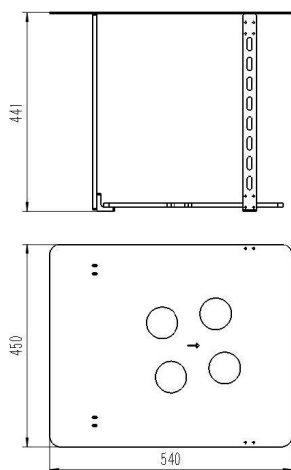


Provides sunlight protection for your MeteoLaser LiDAR

- Avoid direct exposure to solar radiation on the MeteoLaser LiDAR
- Avoid excessive machine temperature
- Reduce fan startup to reduce power consumption



| Characteristic | Description |
|--------------------|-------------------|
| Weight | 4 kg |
| Dimensions (LxWxH) | 54 x 45 x 44.1 cm |
| Material | Aluminium alloy |